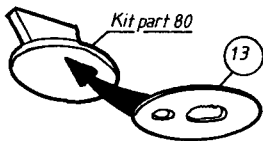


# Set AC48-72

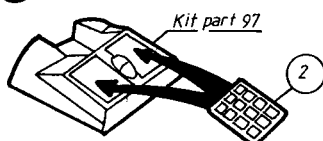
## AIRWAVES BUCCANEER AIRBRAKES

This detail set is manufactured from photo etched brass sheet and is for use on the Airfix kit. To separate components from fret, use a sharp modelling knife on a firm surface cutting as near to the part as possible. Tag scars can be cleaned by holding part in pliers and using a fine file. To fold part support up to line of fold and fold in one go using a screwdriver blade for leverage. For assembly use superglue or 5 minute epoxy. Prior to painting ensure that parts are thoroughly cleaned by washing in detergent and rinsing in clean water, and that they are primed using self etching primer or matt enamel. Position of parts in diagrams is for guidance only, for final positioning and colouring consult reference material. Airwaves are manufactured and distributed by E.D. Models, 64 Stratford Road, Shirley, Solihull, West Midlands B90 3LP, England. Tel:-021-744-7488 Fax:-021-733-2591

### 1 FUEL DUMP PIPE

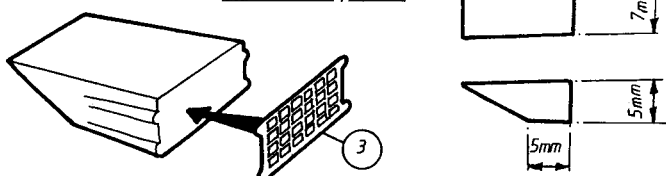


### 2 CHAFF DISPENSERS

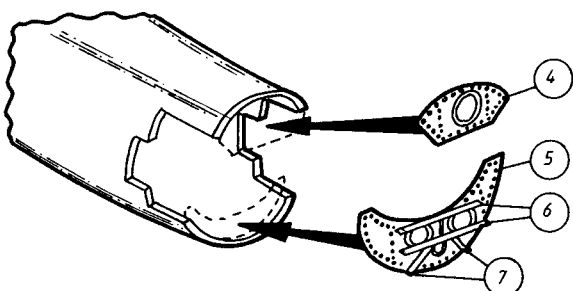


### 3 ALTERNATIVE CHAFF DISPENSERS

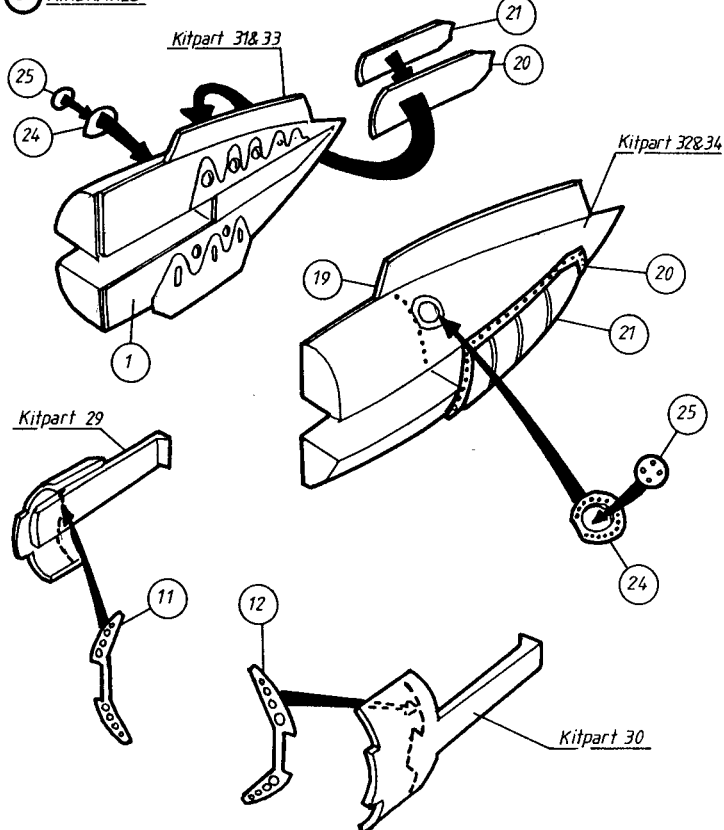
Make two from plasticard



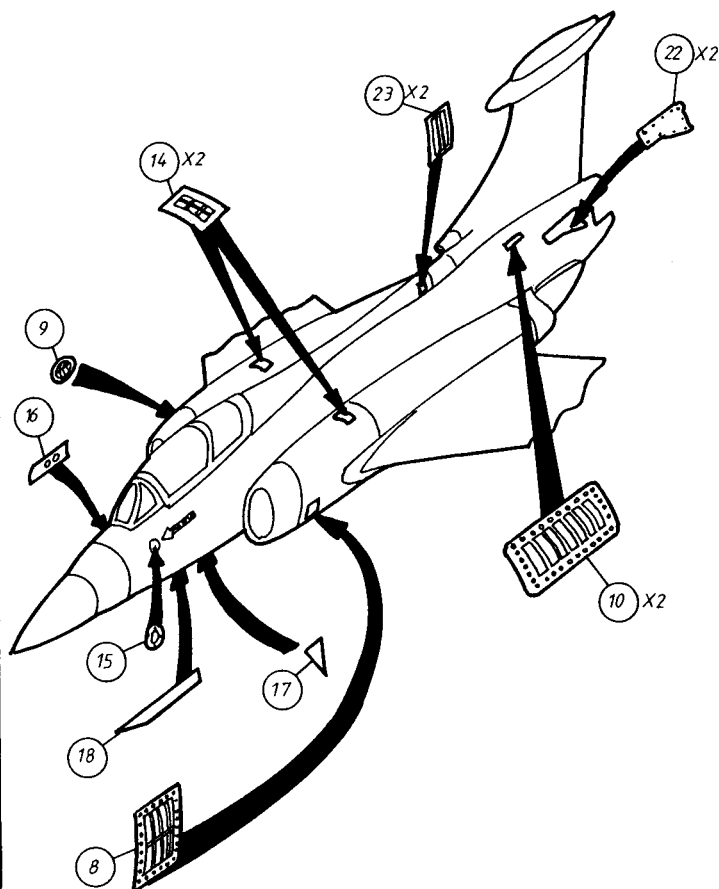
### 4 REAR FUSELAGE



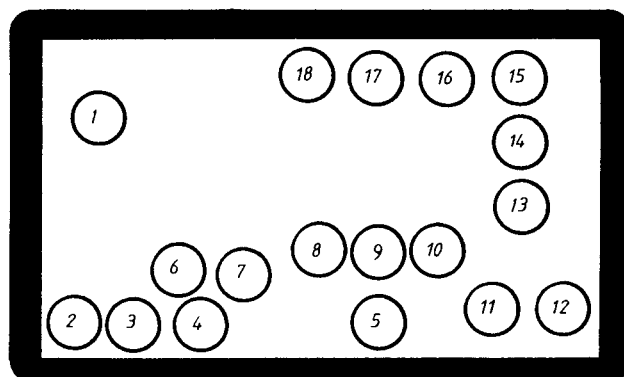
### 5 AIRBRAKES



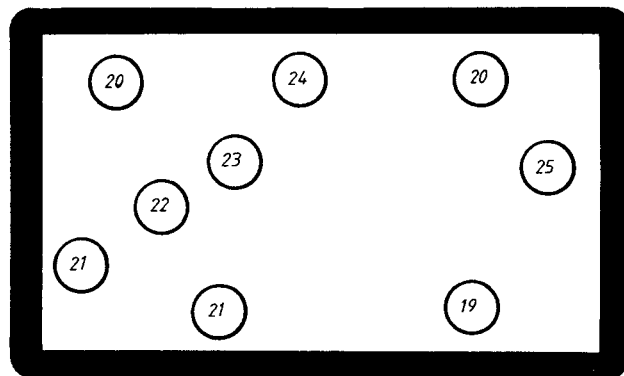
### 6 ACCESSORIES



### 7 COMPONENT FRAME LAYOUT



FRET A



FRET B