

Set AC72-49

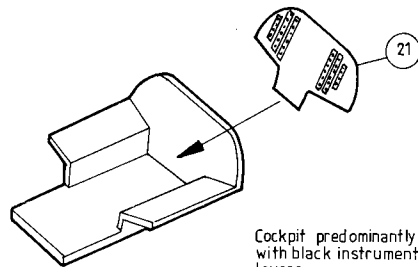
AIRWAVES F-100D SUPER SABRE

This detail set is manufactured from photo etched brass sheet and is meant for use on the Ertl/Esco kit. Use a sharp modelling knife on a firm surface (such as a ceramic tile) to separate components from frame, cutting as near to the part as possible. Tag scars can be cleaned by holding part in pliers and using a fine file. To fold part support up to line of fold in pliers and bend in one go using the blade of a screwdriver for leverage. For assembly use superglue or five minute epoxy using only the latter on clear parts. Prior to painting ensure that parts are fully defluxed by cleaning in liquid detergent and rinsing in clean water. Dry parts thoroughly and prime with either self etching primer or matt enamel. Position of parts in diagrams is for guidance only, for final positioning and colouring consult reference material.

Recommended is Detail and Scale™ F-100D Super Sabre.

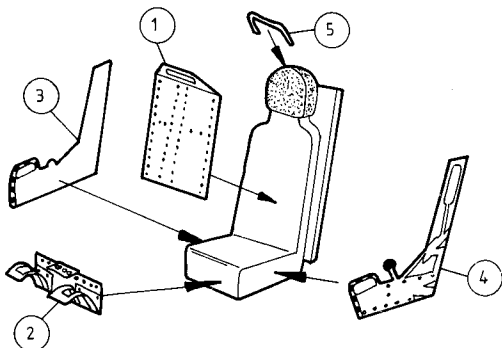
Airwaves are designed by Keith Melville and are manufactured in the Midlands for E.D. Models, 64 Stratford Road, Shirley, Solihull, West Midlands B90 3LP, England. Telephone: 021-744-7488. Airwaves are distributed in the U.S.A. by Military Model Distributors, 1115 Crowley Drive, Carrollton, Texas 75011-5010, U.S.A. Telephone: 1-800-527-0674.

4 Circuit Breaker Bulkhead



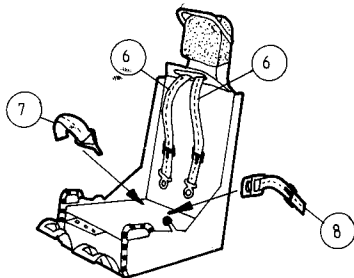
Cockpit predominantly medium grey with black instruments panels and levers

1 Seat



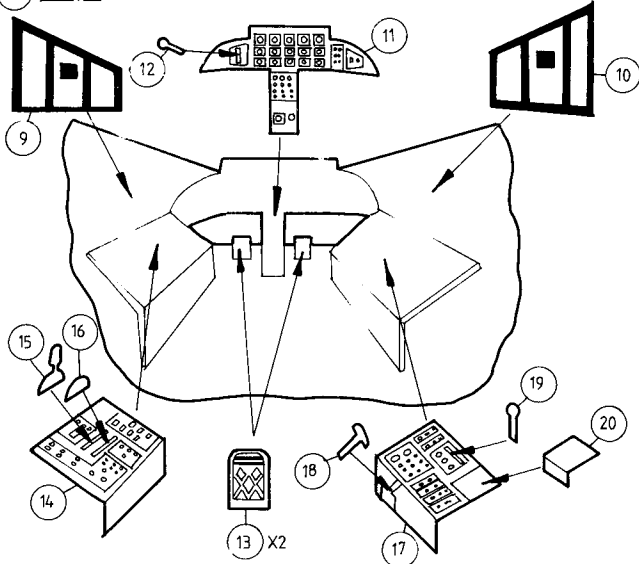
Complete seat light grey, headrest bright red, ejection handles yellow and black stripes, knob black

2 Harness

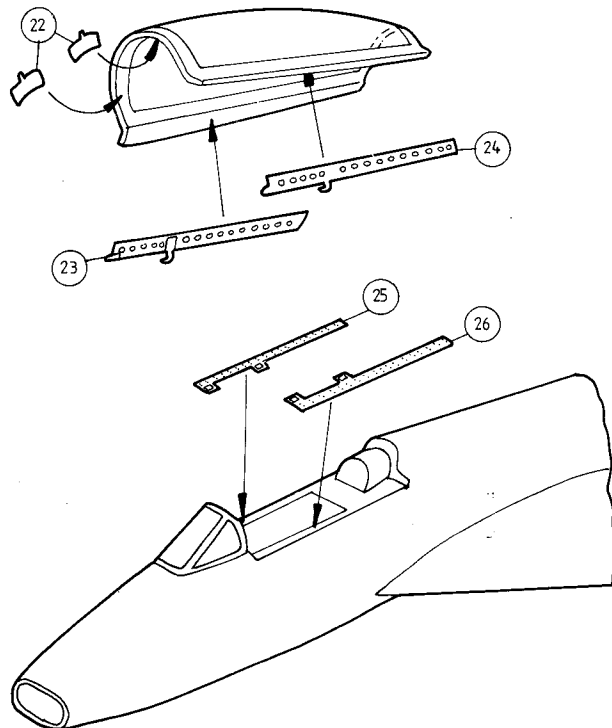


Harness dark green, buckles silver

3 Cockpit



5 Canopy Details



6 Frame Layout

