

Set: AC72-146.

AIRWAVES.

German ww.2. Seat and component set.

This detailed set is manufactured from photo etched brass sheet and is meant for 1:72 scale German W.W.2 Aircraft.

To separate components from frame, use a sharp modeling knife on a firm surface, cutting as near as possible to the part.

Tag scars can be removed by holding part in pliers and cleaning with a fine file.

To fold support part upto fold line, fold in one go using a screwdriver blade, for best results use AIRWAVES FOLDING TOOL AMO22.

To assemble use either superglue or five minute epoxy. Prior to pointing ensure that all parts are thoroughly cleaned by washing in detergent, and rinsed in clean water.

Priming, when parts are thoroughly dry, prime parts with matt enamel.

The position of parts shown in diagrams are for guidance only and for final positioning and colouring, consult reference material.

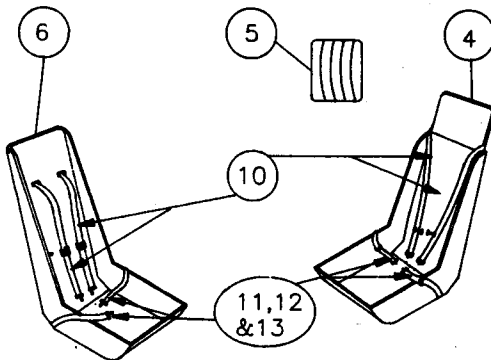
Manufactured by AIRWAVES in the Midlands for :

E.D. Models, 64, Stratford Road, Shirley, Solihull, B90 3LP.
Telephone : 021 744 7458.
FAX : 021 733 2591.

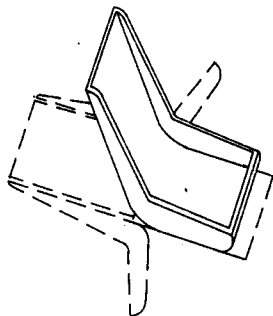
Also distributed in the U.S.A. by Military Model Distributors,
1115, Crowley Drive, Carrollton, Texas. 75011-5010.
Telephone : 1-800-527-0674.

KIT COMPONENT LIST:

- | | |
|----------------------------------|---------------------------------|
| 1 : Messerschmitt Bf110 seat. | 10 : |
| 2 : Bf 110 seat Padding (Large). | 11 : |
| 3 : Bf 110 seat Padding (Small). | 12 : Seat Belt Set. |
| 4 : Me 163 Komat seat. | 13 : |
| 5 : Me 163 Komat seat Padding. | 14 : Gun sights. (Machine Gun). |
| 6 : Heinkel He 111 seat. | 15 : Gun sights. (Head up). |
| 7 : Messerschmitt Me109 seat | 16 : Rudder pedals |
| 8 : Me 109 seat Padding (Large). | |
| 9 : Me 109 seat Padding (small). | |



All seats



Make from clear Acetate sheet.(Not inc.)

