

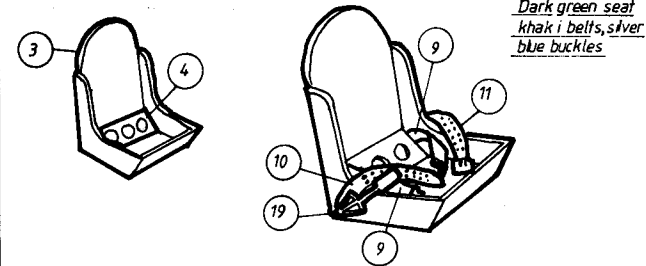
This detail set is manufactured from photo etched brass sheet and is for use on the Airfix kit. With slight modification it will fit the LS/Ariit.

Prior to using fret wash in liquid detergent and rinse in clean water to deflux and clean parts. To separate parts support fret on a firm surface such as a ceramic tile and cut as near to the part as possible using a new sharp blade. Tag scars can be cleaned by holding part in pliers and using a fine file. To fold part, support evenly up to line of fold and fold in one go using a blade for leverage. For assembly of parts use superglue or five minute epoxy. Prior to painting, prime parts using matt enamel or self etching primer. Position of parts in diagrams is for guidance only for final position and colouring consult reference material details of which are elsewhere on this sheet. Airwaves are manufactured and distributed by E.D. Models, 64 St. Alfred Road, Shirley, Solihull, West Midlands B90 3LD, England. Telephone - 021-744-7488 Fax - 021-733-2591

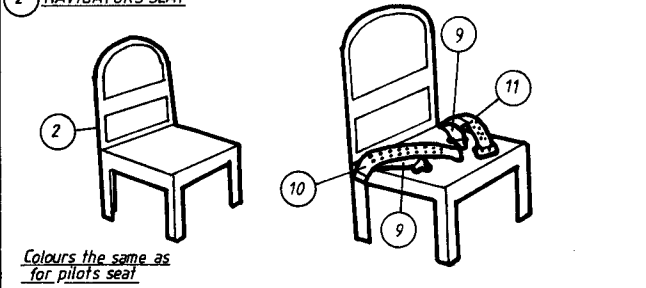
Note that only the best materials are used in the manufacture of Airwaves sets and that any waste is safely disposed of protecting the environment.

For further helpful hints to using etched brass and for full details of the extensive Airwaves range including tools and templates get a copy of the latest Airwaves illustrated catalogue.

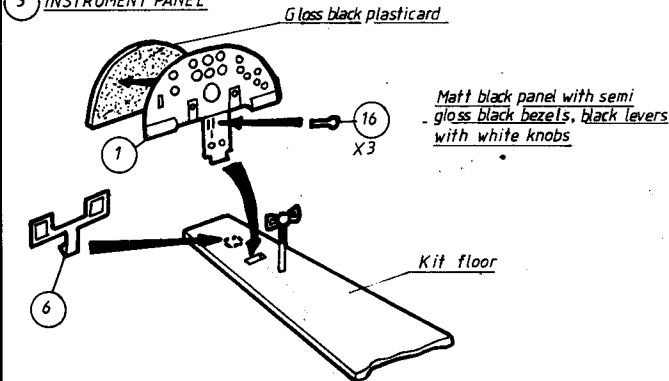
1 PILOTS SEAT



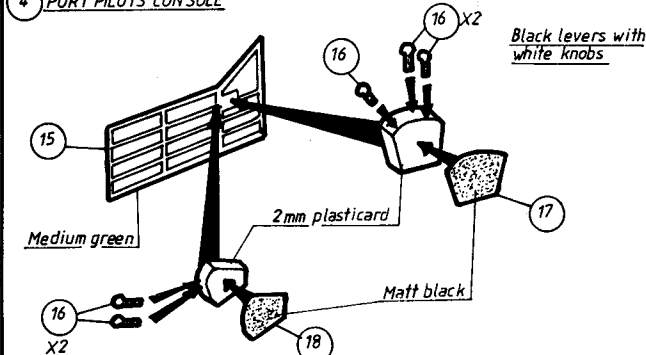
2 NAVIGATORS SEAT



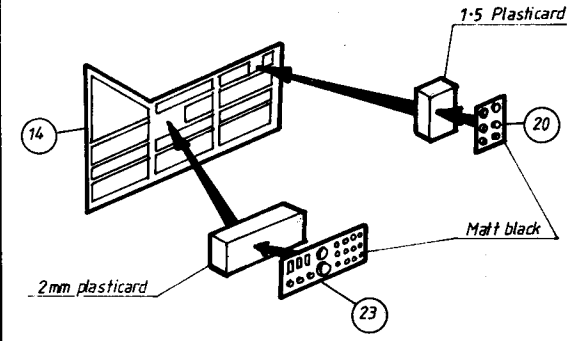
3 INSTRUMENT PANEL



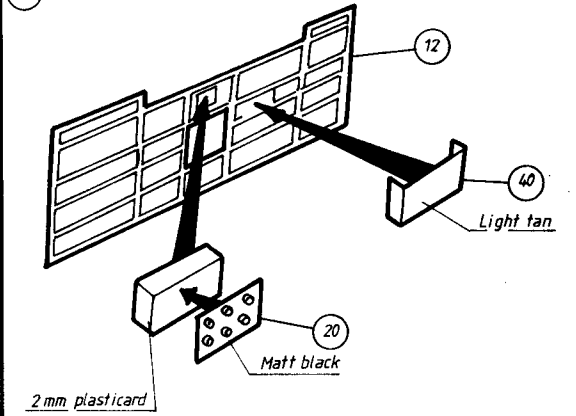
4 PORT PILOTS CONSOLE



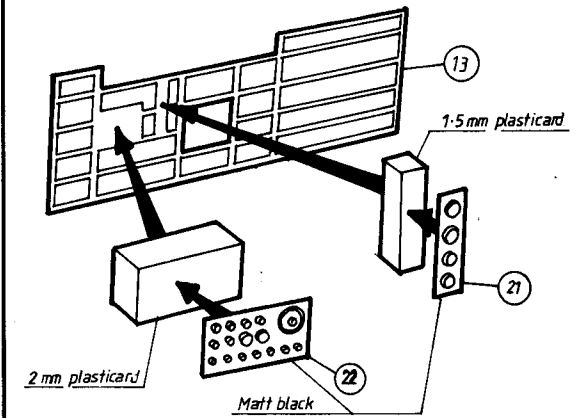
5 STARBOARD PILOTS CONSOLE



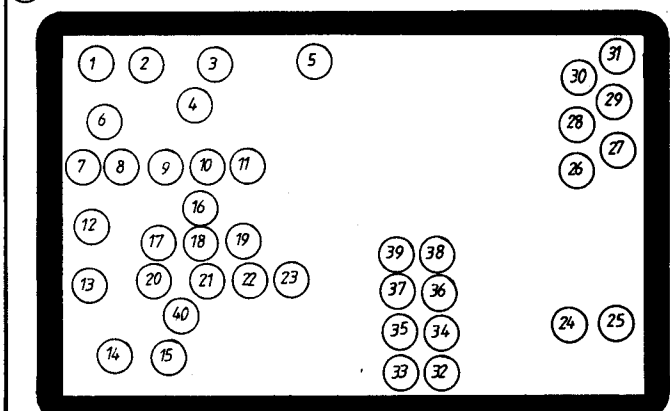
6 PORT NAVIGATORS WALL



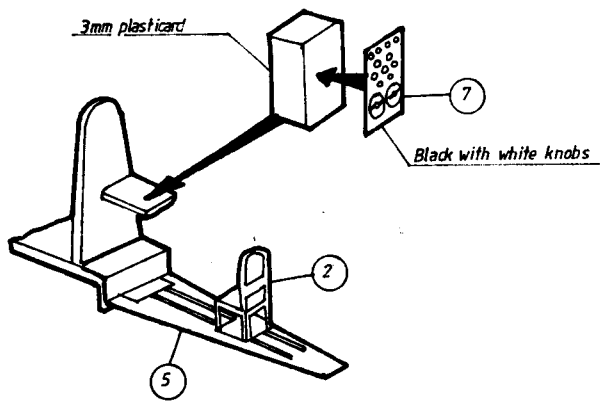
7 STARBOARD NAVIGATORS WALL



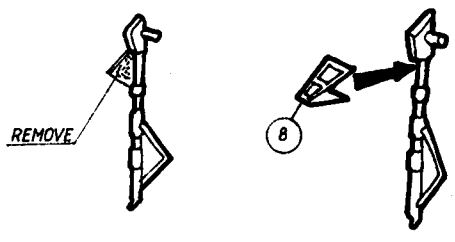
8 COMPONENT FRAME LAYOUT



9 RADIO



10 TORQUE LINKS



11 FLAP DETAIL

