

**Supermarine Attacker F1, FB1 & FB2
General Detail Set**

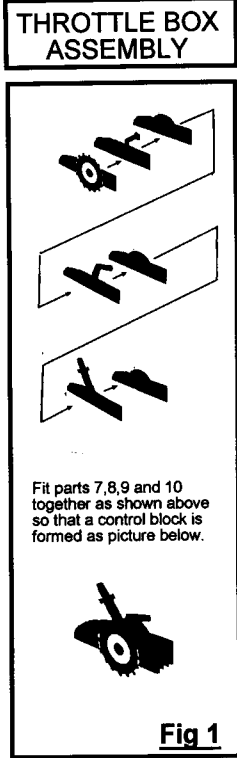
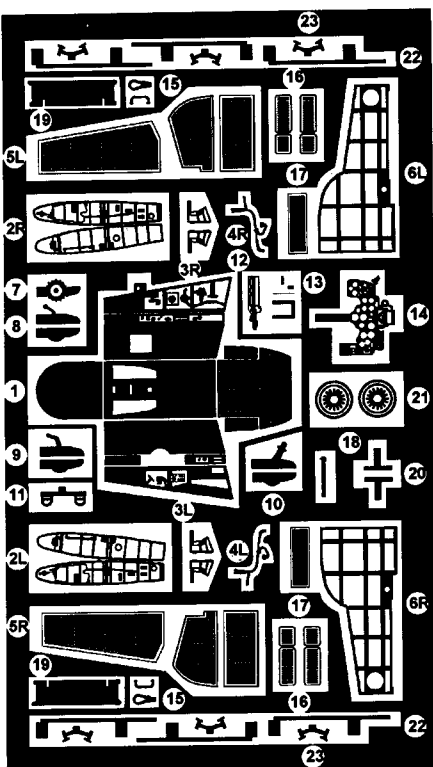
This Detail set is manufactured from photo - etched brass sheet and is for the Revell / Frog Novo model kit.
Etched brass should be thoroughly cleaned by gently wiping with a solvent such as White Spirit and primed for painting.
To separate parts, support fret on a firm surface, (i.e., a small sheet of glass or a plain ceramic tile) and cut as near to the part as possible using a sharp blade.
To fold part use Airwaves Folding Tool AM022 for a good and even fold.
For fixing parts, use Cyanoacrylate Adhesive (Superglue) or Epoxy resin.

Manufactured for and by:-
E.D. Models, 64 Stratford Road, Shirley,
Soliuhull, B90 3LP, England.
Telephone (44)- 0121-744-7488 Fax (44)- 0121-733-2591

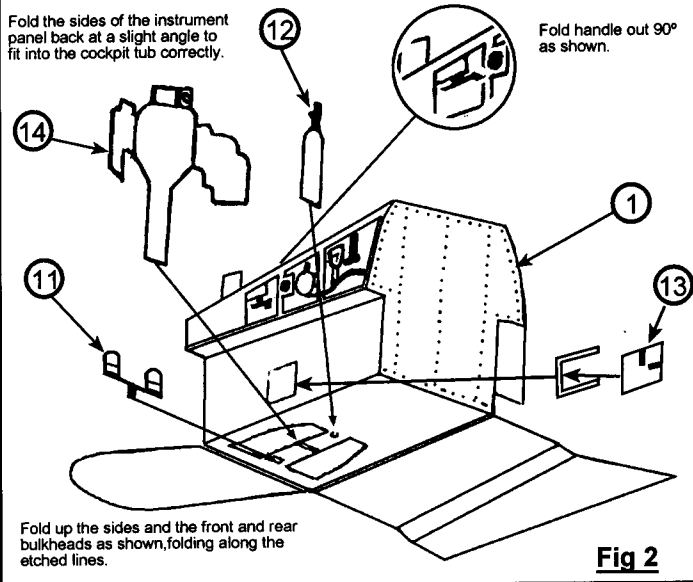
For further helpful hints to using etched brass and for full details of the extensive Airwaves range, get a copy of the latest Airwaves catalogue.

General Notes

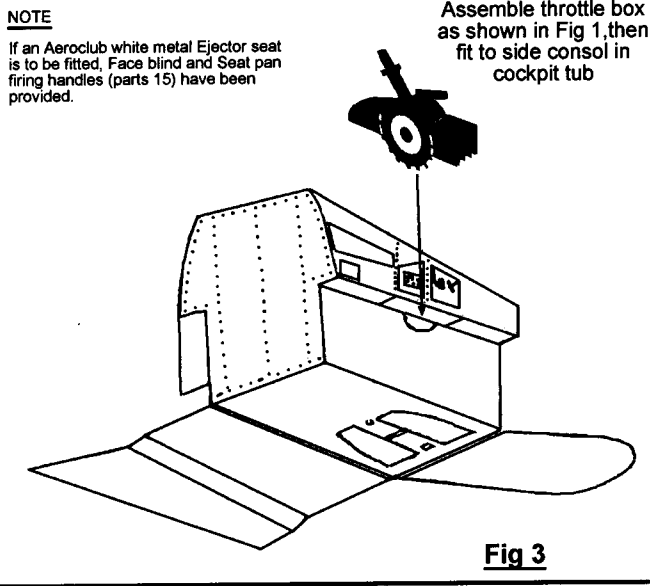
It is recommended that an Aeroclub white metal ejector seat Ref.ABEJ 001 be used in conjunction with this fittings set.
For the best results and clearest views of the cockpit interior, fit a Clear Vax canopy from Clear Vax set 19 FAA aircraft. Both of these items are available from E.D.Models.
The interior colour of the cockpit is overall matt black with tan seat cushions. The instrument dials are black with white digits and the ejector seat handles black/yellow stripes. The inside of the wing fold is chromate yellow, and undercarriage wells sky, with aluminium u/c legs and wheel hubs.



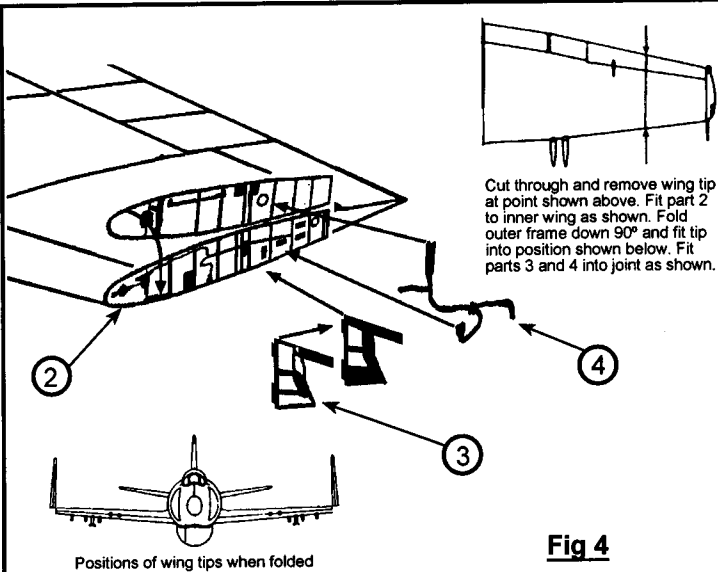
COCKPIT TUB & INSTRUMENT PANEL ASSEMBLY



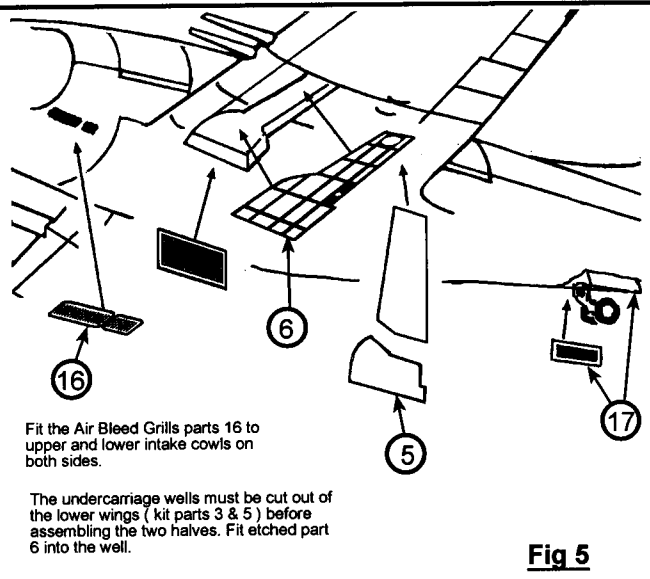
COCKPIT TUB & THROTTLE CONTROL BOX



WING TIP FOLD ASSEMBLY



UNDERSIDE ASSEMBLY



Supermarine Attacker F1, FB1 & FB2 General Detail Set

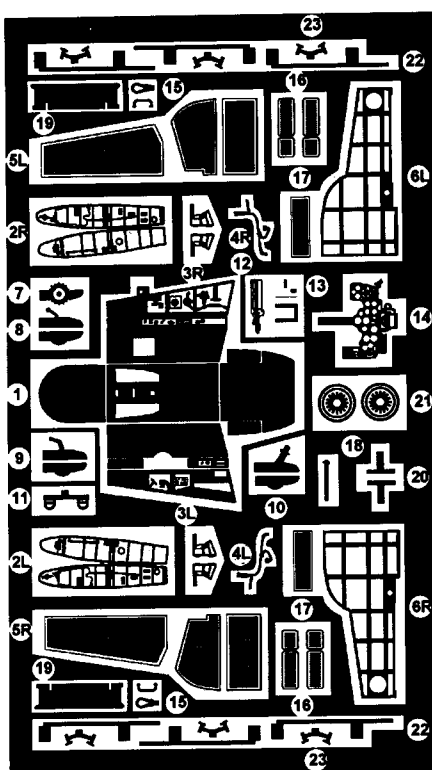
This Detail set is manufactured from photo - etched brass sheet and is for the Revell / Frog Novo model kit.
Etched brass should be thoroughly cleaned by gently wiping with a solvent such as White Spirit and primed for painting.
To separate parts, support fret on a firm surface, (i.e., a small sheet of glass or a plain ceramic tile) and cut as near to the part as possible using a sharp blade.
To fold part use Airwaves Folding Tool AM022 for a good and even fold.
For fixing parts, use Cyanoacrylate Adhesive (Superglue) or Epoxy resin.

Manufactured for and by:-
E.D. Models, 64 Stratford Road, Shirley,
Solihull, B90 3LP, England.
Telephone (44)- 0121-744-7488 Fax (44)- 0121-733-2591

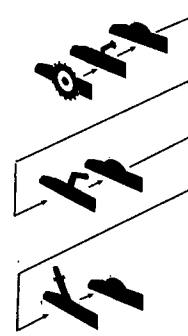
For further helpful hints to using etched brass and for full details of the extensive Airwaves range, get a copy of the latest Airwaves catalogue.

General Notes

It is recommended that an Aeroclub white metal ejector seat Ref.ABEJ 001 be used in conjunction with this fittings set.
For the best results and clearest views of the cockpit interior, fit a Clear Vax canopy from Clear Vax set 19 FAA aircraft. Both of these items are available from E.D.Models.
The interior colour of the cockpit is overall matt black with tan seat cushions. The instrument dials are black with white digits and the ejector seat handles black/yellow stripes. The inside of the wing fold is chromate yellow, and undercarriage wells sky, with aluminium u/c legs and wheel hubs.



THROTTLE BOX ASSEMBLY



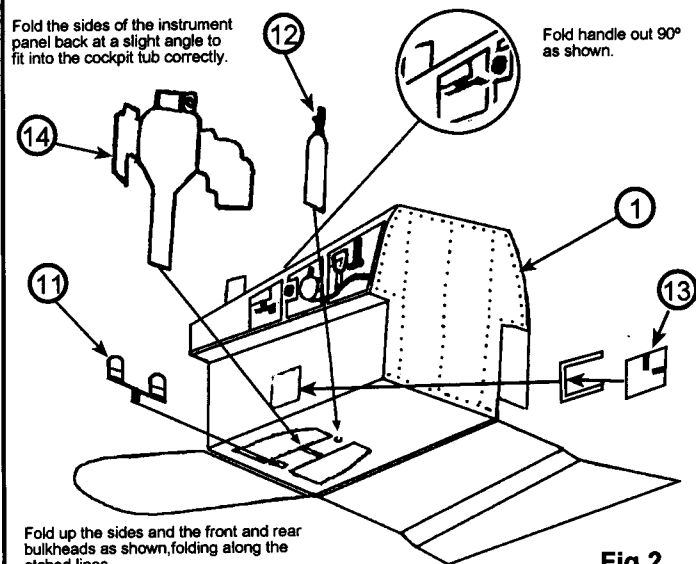
Fit parts 7,8,9 and 10 together as shown above so that a control block is formed as picture below.



Fig 1

COCKPIT TUB & INSTRUMENT PANEL ASSEMBLY

Fold the sides of the instrument panel back at a slight angle to fit into the cockpit tub correctly.



Fold handle out 90° as shown.

Fold up the sides and the front and rear bulkheads as shown, folding along the etched lines.

Fig 2

COCKPIT TUB & THROTTLE CONTROL BOX

NOTE

If an Aeroclub white metal Ejector seat is to be fitted, Face blind and Seat pan firing handles (parts 15) have been provided.

Assemble throttle box as shown in Fig 1, then fit to side consol in cockpit tub

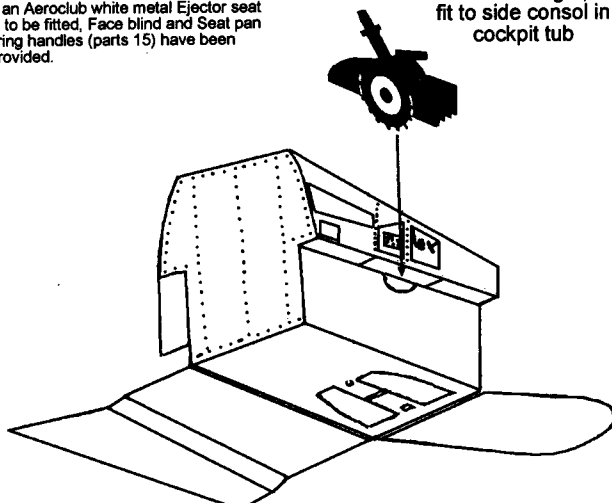
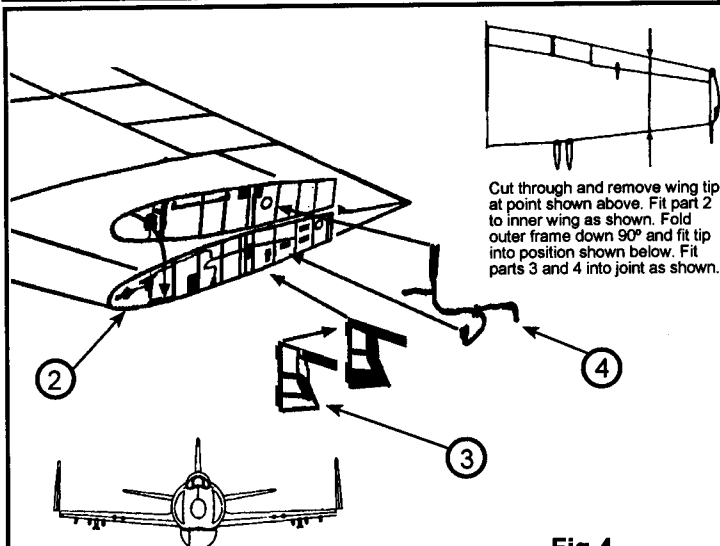


Fig 3

WING TIP FOLD ASSEMBLY

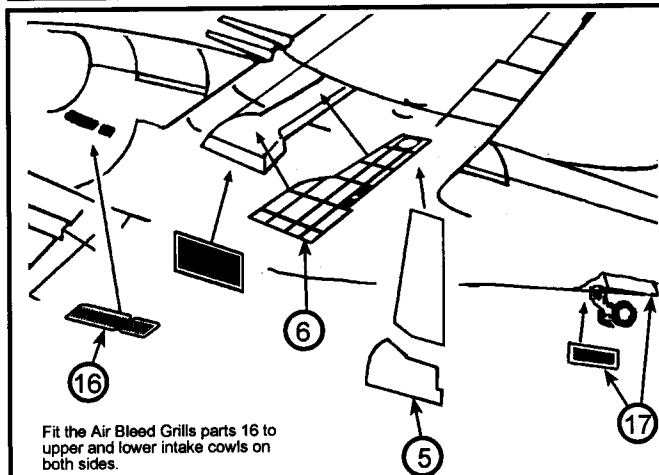


Cut through and remove wing tip at point shown above. Fit part 2 to inner wing as shown. Fold outer frame down 90° and fit tip into position shown below. Fit parts 3 and 4 into joint as shown.

Positions of wing tips when folded

Fig 4

UNDERSIDE ASSEMBLY



Fit the Air Bleed Grills parts 16 to upper and lower intake cowls on both sides.

The undercarriage wells must be cut out of the lower wings (kit parts 3 & 5) before assembling the two halves. Fit etched part 6 into the well.

Fig 5