

This detail set is manufactured from photo etched brass sheet and is meant for used on the ITALERI / REVELL kit.

To separate components from the frame use a sharp modelling knife on a firm surface, cutting as near to the part as possible. Tag scars can be cleaned by holding the part with a pair of pliers and using a fine file.

To fold a part, support up to the line of the fold and then fold in one smooth movement using a screw driver for leverage, or use the:

ED brass folding tool ref. AM-22.

For assembly use superglue or five minute epoxy. Prior to glueing and painting ensure that the parts are thoroughly cleaned by washing in detergent, and that they are primed with matt enamel paint.

The position of parts indicated in the diagrams is for guidance only.

For final positioning and colouration consult reference materials.

AIRWAVES are distributed by :- **ED Models**

64 Stratford Road, Shirley, Solihull,

West Midlands, B90 3LP, England.

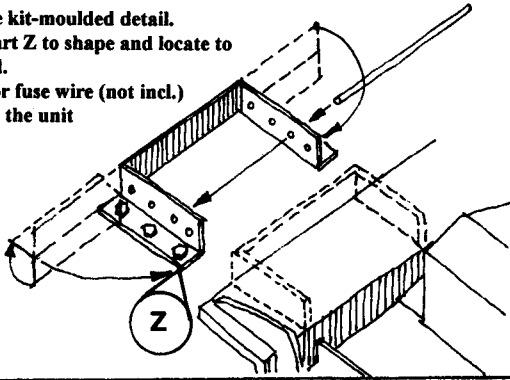
Telephone 0121 744 7488. Fax 0121 744 2592

SPARE TRACK RACK

Remove the kit-moulded detail.

Fold fret part Z to shape and locate to track guard.

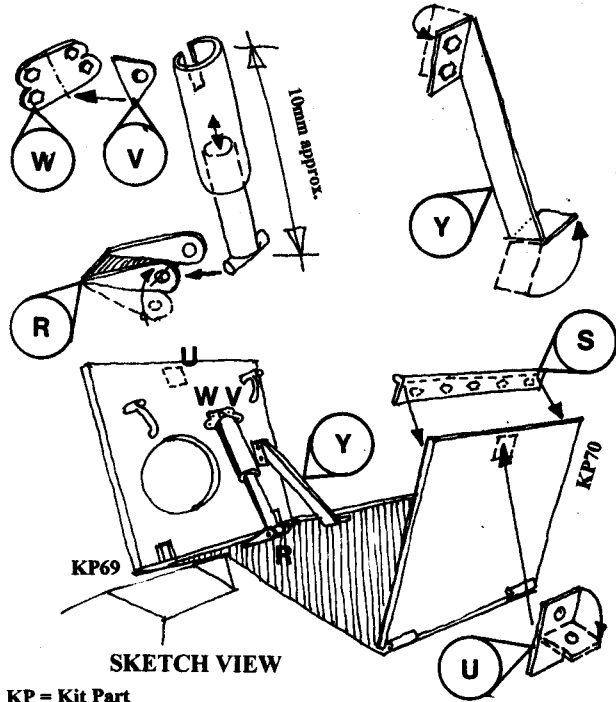
Use piano or fuse wire (not incl.) to complete the unit



TURRET HATCH DETAILS

HATCH PISTONS - Join fret parts W and V - Fold fret parts R to shape
Fabricate two pistons from plastic/metal tube (not incl.).
Locate to hatch as shown on the sketch view.

HATCH STAY - Fold fret parts Y to shape (Note: 1 left + 1 right hand unit).
LOCK CATCH - Fold fret parts U to shape and locate to hatches KP69/70
EDGE TRIM - Locate fret part S to hatch Kit Part 70



APPLIQUE ARMOUR OPTIONS

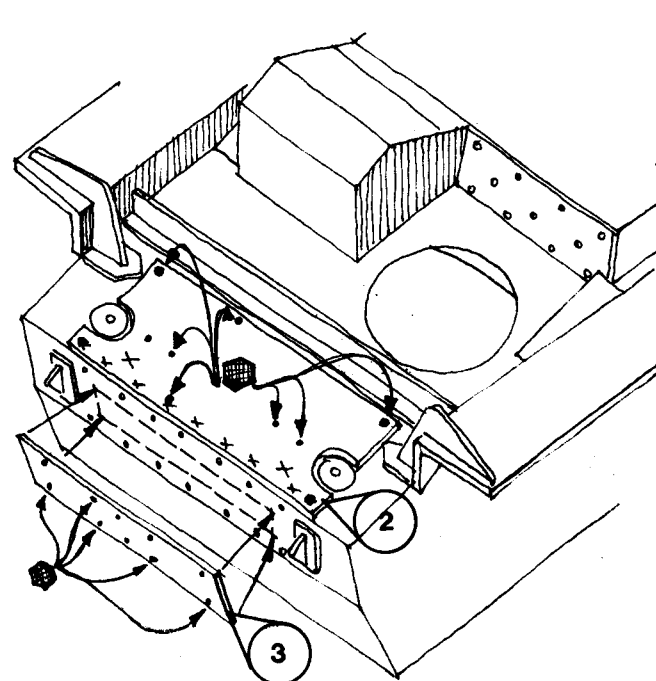
Option 1 BOLTED

Remove kit moulded detail marked 'x'.

Locate fret parts 2 and 3 into position.

Add bolt heads to each 'o' Location

(Head lights and guards are not fitted).



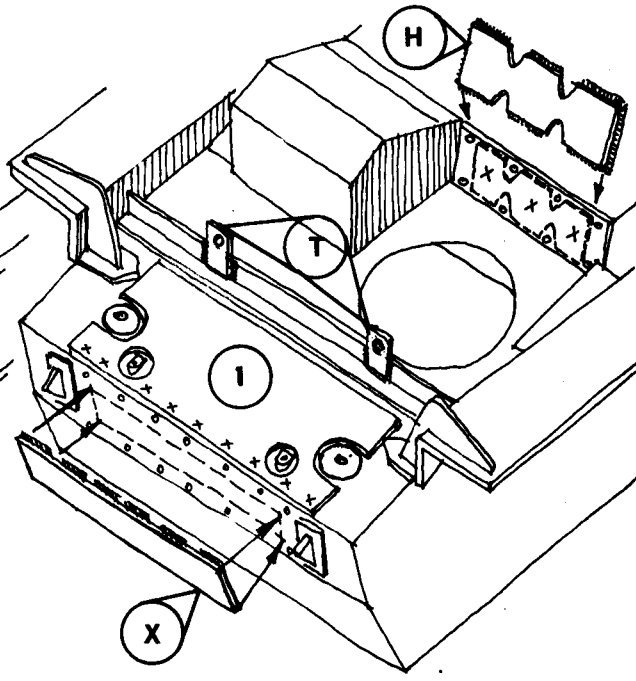
Option 2 WELDED

Remove kit moulded detail marked 'x'.

Locate fret parts H,T,X and 1 into position.

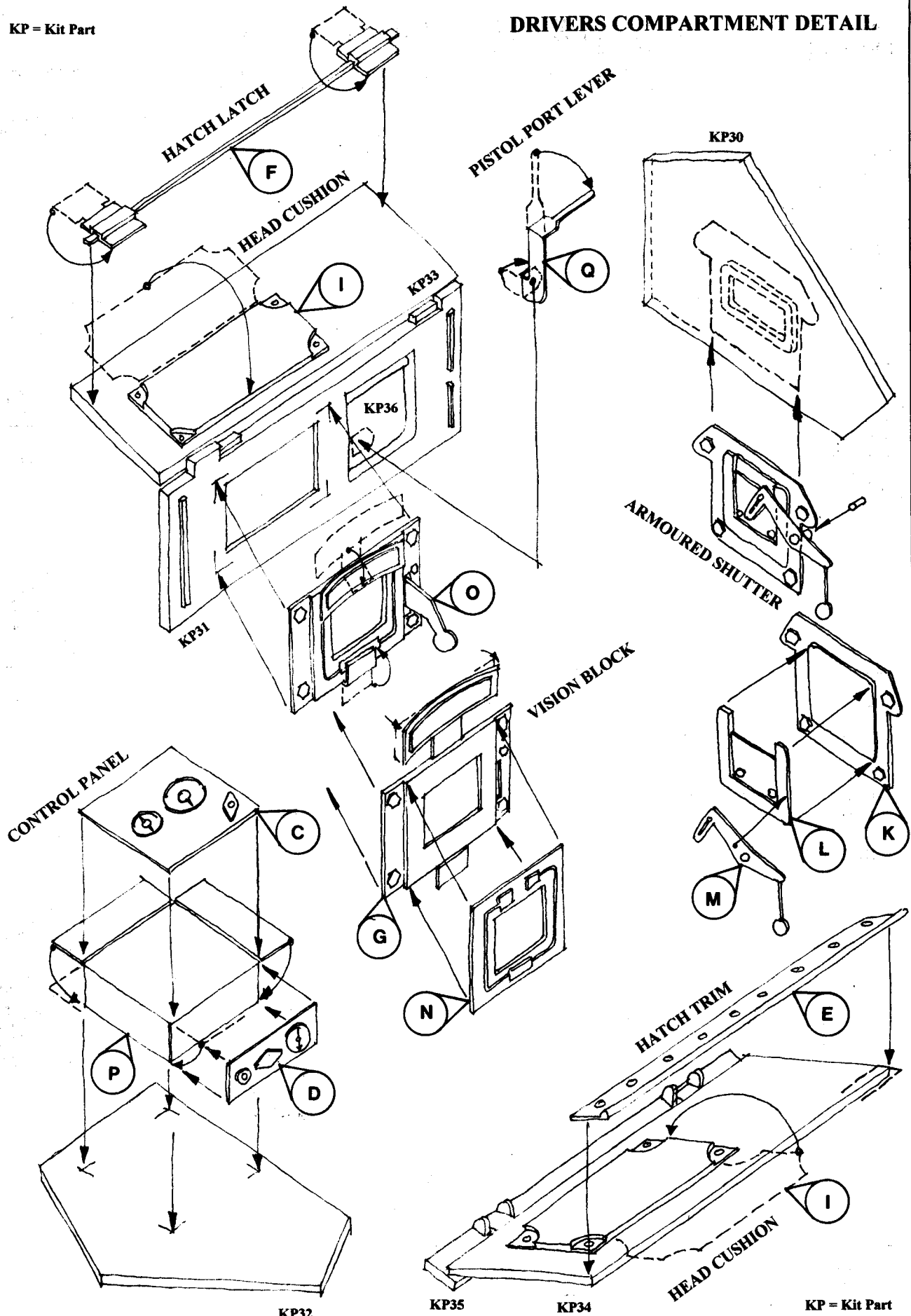
When fixing fret part 1 allow some adhesive to squeeze out around the edge of the unit to simulate the welding.

(Head lights and guards fitted as normal).



KP = Kit Part

DRIVERS COMPARTMENT DETAIL



KP = Kit Part