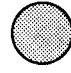
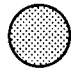
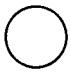
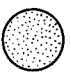



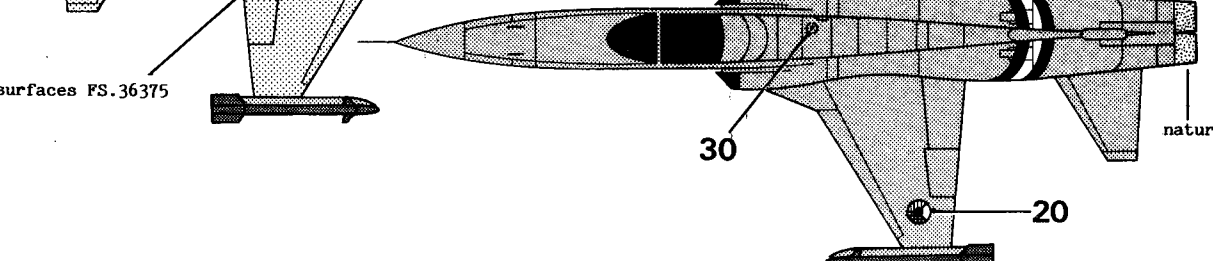
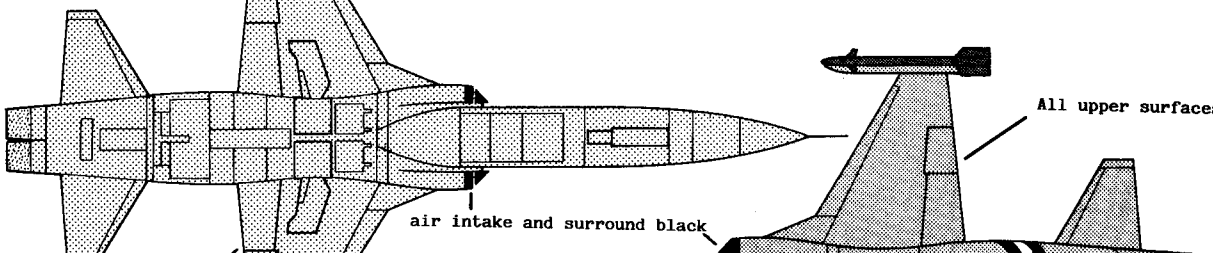
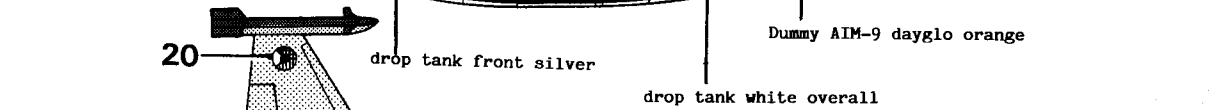
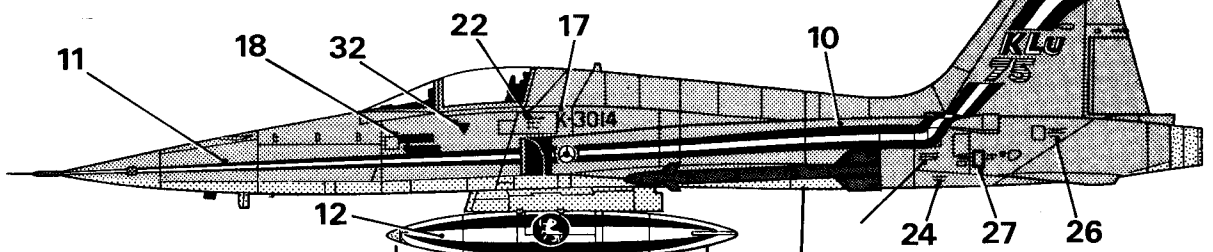
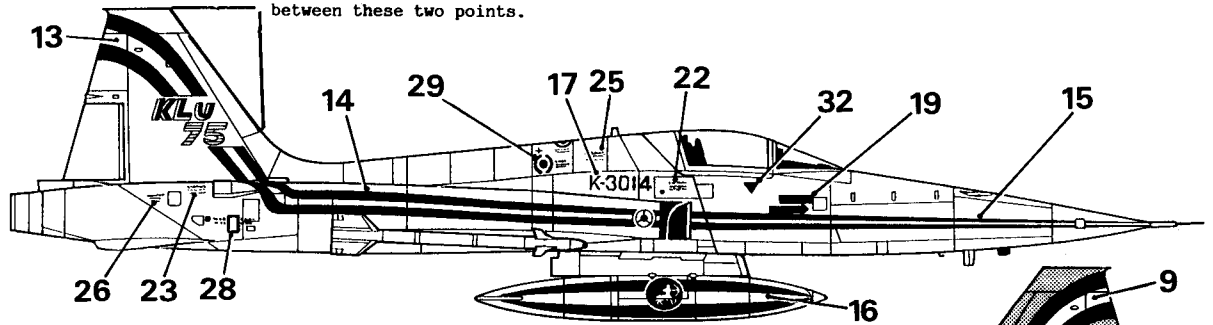
**Northrop NF-5 Freedom Fighter, 314 Sgd RNIAF**  
 Aircraft depicted in the Royal Netherlands Air Force 75th Anniversary scheme, as they appeared at various airshows in Europe during 1988. Aircraft painted in the Low Vis. scheme FS.36270/36375. Paintwork and stencils varied between aircraft, but most appear with a slightly patchwork finish around access panels, where new paint has been applied. (refer to photos). TWO complete aircraft can be made from this decal sheet. K-3012 & K-3014 in the earlier scheme with just the red/white/blue striping (this scheme may have been applied to K-3042, K-3054, K-3072 but this cannot be confirmed).

K-3012, K-3014, K-3042, K-3054, K-3072 in the later scheme with the 'Double Dutch' panel on the fuselage sides. Note TWO styles of drop tank finish are provided. The overall white with trim only being fitted to the early scheme aircraft. The grey with trim tanks being fitted to the 'Double Dutch' scheme aircraft. Also plain grey (FS.36375) tanks were used at Mildenhall Air Pete 1988. Dummy AIM-9 Sidewinders were mounted (dayglo orange) some without fore fins. All undercarriage units, wheel wells, airbrake interiors are silver.

Almark Decals wish to thank the organizers of the Deelen Air Show, who allowed us to measure the depicted aircraft in preparation of these decals. Thanks also to R.A.W.E and T. Hutchinson.

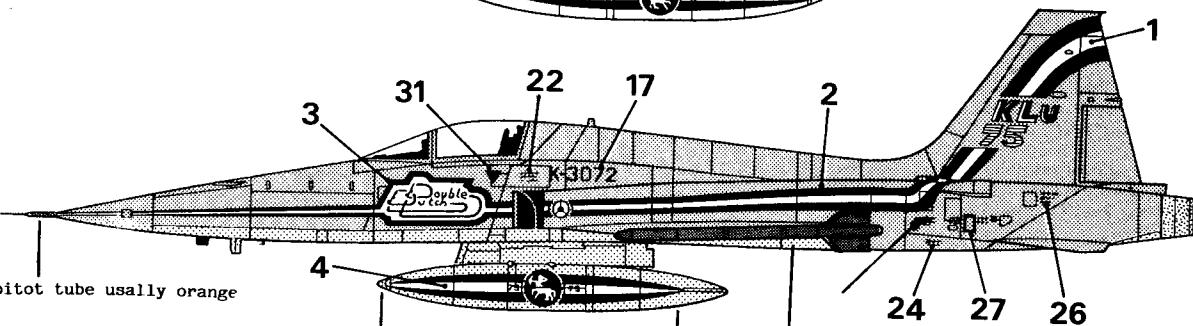
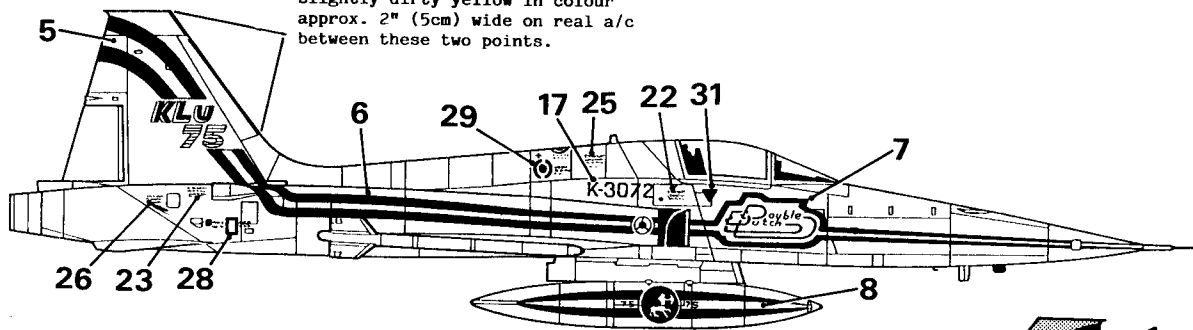
-  FS.36270 Medium Grey
-  FS.36375 Light Grey
-  White
-  Natural Metal
-  Dayglo Orange

leading edge protection film slightly dirty yellow in colour approx. 2" (5cm) wide on real a/c between these two points.



1 lower surfaces FS.36375

leading edge protection film slightly dirty yellow in colour approx. 2" (5cm) wide on real a/c between these two points.



pitot tube usually orange

drop tank front silver

drop tank FS.36375

Dummy AIM-9 dayglo orange.  
Note front fins not fitted.

#### KEY TO PHOTOGRAPHS

- No1 NF-5 K-3054, during pre-flight servicing at Deelen Air Show Holland 1988. R.A.W.E.
- No2 Pleasing study of F-16 J-864 in Flight. RNIAF.
- No3 NF-5's K-3054 & K-3072 in flight Holland. RNIAF
- No4 NF-5 K-3012 in static park at Hupper Heyford, finished in the early paint scheme. T.Hutchinson.

Note; Paint touch up around access panels (there has been severe servicing problems with RNIAF NF-5 in recent years)

Also on the NF-5 note the two tone dayglo orange KLU on tail. Depending on light conditions this will appear as one colour, but is 2 colours as close examination will show.